



**SUPERDECK® 2.6**

**8'6"**

 **PRESTON RENTALS®**

COUNT ON US

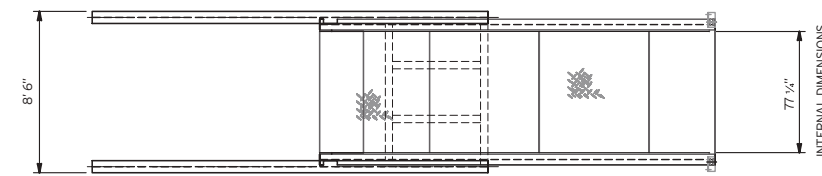
Phone 888 399 DECK (3325) | [prestonrentals.com](http://prestonrentals.com)

# SPECIFICATIONS SUPERDECK 2.6

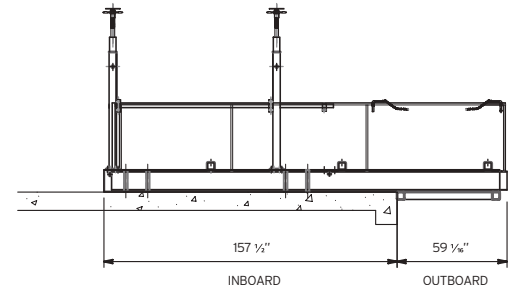
# 4 PROP METHOD

DIMENSIONS				TARE	
Length	27' 10 5/8"	Width	8' 6"	Height	47 1/4"
				Weight	6170 lb

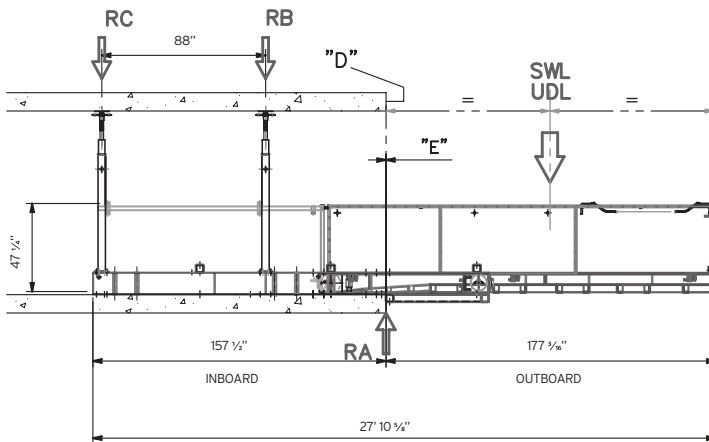
LOAD/REACTION IN POUNDS FORCE					
	177 3/16" Outboard	187" Outboard	196 5/16" Outboard	206 1/16" Outboard	
SWL-UDL (lb)	11000 lb	8800 lb	7050 lb	5511 lb	
RA* (lbf)	23381 lbf	24056 lbf	25854 lbf	29226 lbf	
RB* (lbf)	15512 lbf	17086 lbf	19559 lbf	22931 lbf	
RC* (lbf)	-899 lbf	-674 lbf	-225 lbf	225 lbf	
Deflections at outer wheel (")	1/4"	5/16"	3/8"	3/8"	
Deflections at free end (")	1 1/4"	1 1/4"	1 1/4"	1 3/8"	
E = (Distance from slab edge to back end of H frame) (")	0"	9 13/16"	19 1/16"	29 1/2"	
D = (Distance from center line of inner prop to slab edge) (")	64 5/8"	54 13/16"	45"	35 5/32"	



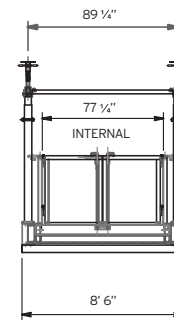
PLAN VIEW



SIDE ELEVATION - RETRACTED



SIDE ELEVATION - EXTENDED



FRONT ELEVATION

\*Reactions on each side of the platform. Assumed load always center both ways on the outboard of the platform. All loads are static loads i.e. no load factors applied. Horizontal forces not taken into account. Reactions provided based on rigid supports i.e. effects on deflections of supporting slabs not factored into design. The information contained on this specification sheet comes from sources including the operator's manual, manufacturers and relevant engineers. Preston Rentals believes all information contained on this specification sheet is true and correct at the time of printing but accepts no responsibility for its accuracy. For full terms and conditions of equipment rental please contact Preston Rentals directly.

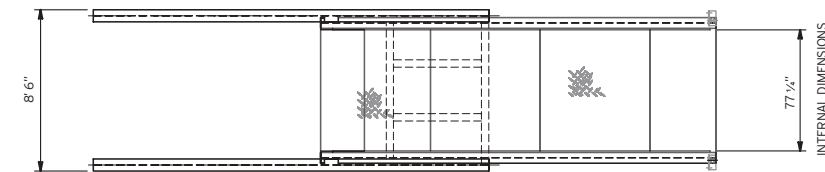
# SPECIFICATIONS SUPERDECK 2.6

# 2 PROP METHOD

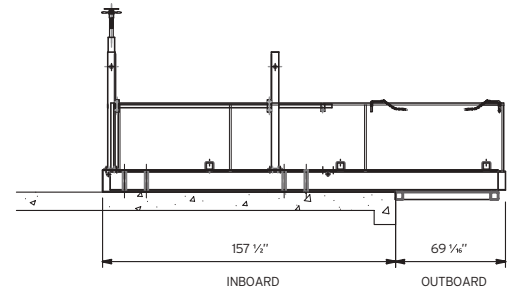
DIMENSIONS				TARE	
Length	27' 10 5/8"	Width	8' 6"	Height	47 1/4"
				Weight	6170 lb

## LOAD/REACTION IN POUNDS FORCE

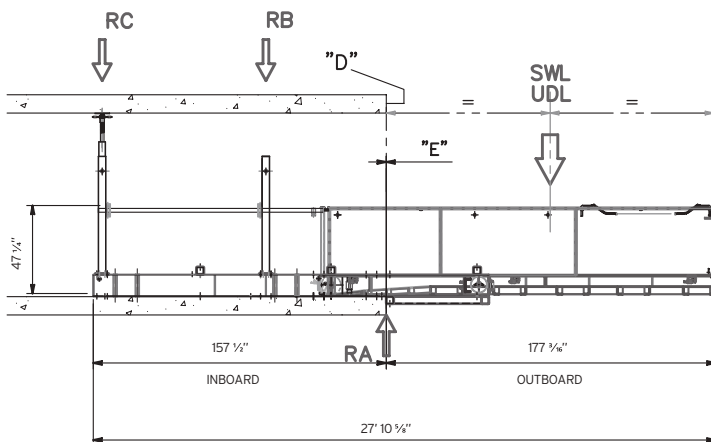
	177 3/16" Outboard	187" Outboard	196 5/16" Outboard	206 1/16" Outboard
SWL-UDL (lb)	11000 lb	8800 lb	7050 lb	5511 lb
RA* (lbf)	13939 lbf	13039 lbf	12140 lbf	11690 lbf
RB* (lbf)	N/A	N/A	N/A	N/A
RC* (lbf)	5170 lbf	5395 lbf	5395 lbf	2620 lbf
Deflections at outer wheel (")	7/16"	1/2"	9/16"	5/8"
Deflections at free end (")	1 13/16"	1 7/8"	1 15/16"	2"
E = (Distance from slab edge to back end of H frame) (")	0"	9 13/16"	19 1/16"	29 1/2"
D = (Distance from center line of inner prop to slab edge) (")	64 5/8"	54 13/16"	45"	35 3/32"



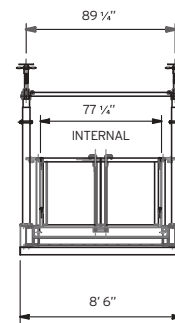
PLAN VIEW



SIDE ELEVATION - RETRACTED



SIDE ELEVATION - EXTENDED



FRONT ELEVATION

\*Reactions on each side of the platform.

Assumed load always center both ways on the outboard of the platform. All loads are static loads i.e. no load factors applied. Horizontal forces not taken into account. Reactions provided based on rigid supports i.e. effects on deflections of supporting slabs not factored into design.

The information contained on this specification sheet comes from sources including the operator's manual, manufacturers and relevant engineers. Preston Rentals believes all information contained on this specification sheet is true and correct at the time of printing but accepts no responsibility for its accuracy. For full terms and conditions of equipment rental please contact Preston Rentals directly.

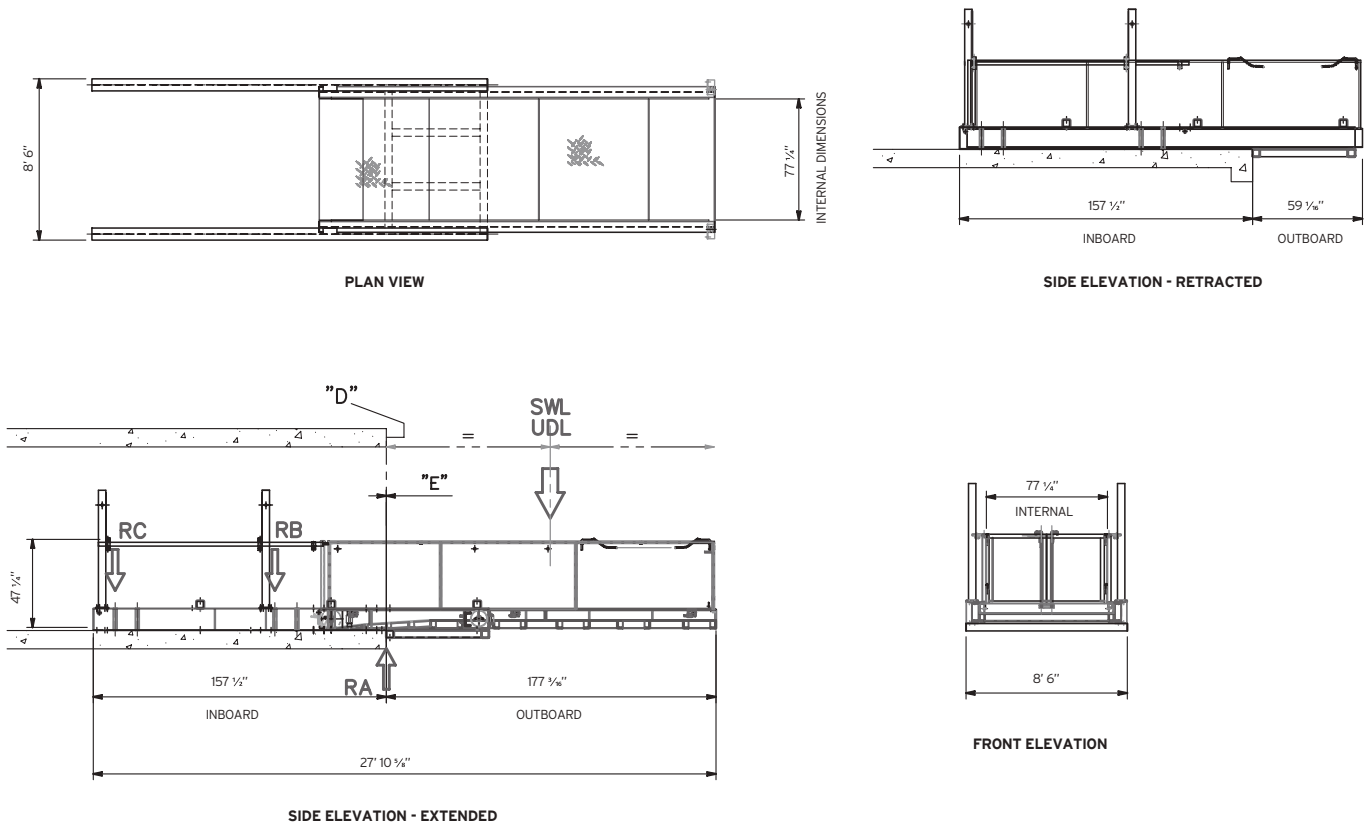
# SPECIFICATIONS SUPERDECK 2.6

# BOLTDOWN METHOD

DIMENSIONS				TARE	
Length	27' 10 5/8"	Width	8' 6"	Height	47 1/4"
				Weight	6170lb

## LOAD/REACTION IN POUNDS FORCE

	177 3/16" Outboard	187" Outboard	196 5/16" Outboard	206 1/16" Outboard
SWL-UDL (lb)	11000 lb	8800 lb	7050 lb	5511 lb
RA* (lbf)	23831 lbf	24955 lbf	26753 lbf	30126 lbf
RB* (lbf)	16187 lbf	18435 lbf	20234 lbf	23606 lbf
RC* (lbf)	-1124 lbf	-899 lbf	-225 lbf	449 lbf
Deflections at outer wheel (")	1/4"	5/16"	5/16"	3/8"
Deflections at free end (")	1 1/4"	1 3/8"	1 5/8"	1 3/8"
E = (Distance from slab edge to back end of H frame) (")	0"	9 13/16"	19 1/16"	29 1/2"
D = (Distance from center line of inner prop to slab edge) (")	47 1/4"	38 7/16"	28 3/8"	18 1/2"



\*Reactions on each side of the platform.

Assumed load always center both ways on the outboard of the platform. All loads are static loads i.e. no load factors applied. Horizontal forces not taken into account. Reactions provided based on rigid supports i.e. effects on deflections of supporting slabs not factored into design.

The information contained on this specification sheet comes from sources including the operator's manual, manufacturers and relevant engineers. Preston Rentals believes all information contained on this specification sheet is true and correct at the time of printing but accepts no responsibility for its accuracy. For full terms and conditions of equipment rental please contact Preston Rentals directly.