



# **SUPERDECK® 3.2**

## **10'6"**

 **PRESTON RENTALS®**

COUNT ON US

Phone **888 399 DECK (3325)** | [prestonrentals.com](http://prestonrentals.com)

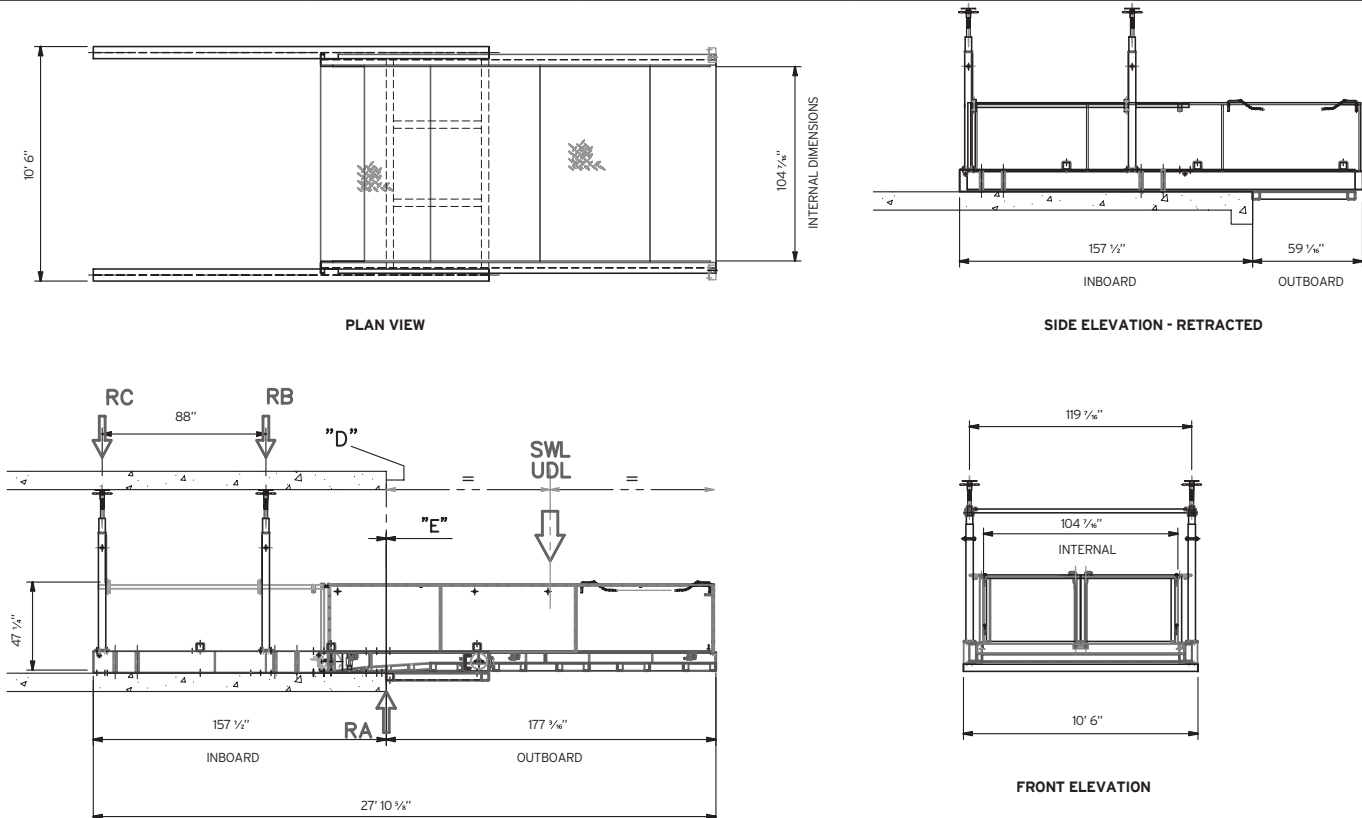
# SPECIFICATIONS SUPERDECK 3.2

# 4 PROP METHOD

DIMENSIONS				TARE	
Length	27' 10 5/8"	Width	10' 6"	Height	47 1/4"
				Weight	6600 lb

## LOAD/REACTION IN POUNDS FORCE

	177 3/16" Outboard	187" Outboard	196 5/16" Outboard	206 1/16" Outboard
SWL-UDL (lb)	11000 lb	8800 lb	7050 lb	5511 lb
RA* (lbf)	24056 lbf	24730 lbf	26753 lbf	30350 lbf
RB* (lbf)	15962 lbf	17536 lbf	20009 lbf	23831 lbf
RC* (lbf)	-899 lbf	-674 lbf	-225 lbf	-225 lbf
Deflections at outer wheel (")	1/4"	5/16"	5/16"	3/16"
Deflections at free end (")	1 5/16"	1 5/16"	1 5/16"	1 3/8"
E = (Distance from slab edge to back end of H frame) (")	0"	9 13/16"	19 1/16"	29 1/2"
D = (Distance from center line of inner prop to slab edge) (")	64 5/8"	54 13/16"	45"	35 5/32"



\*Reactions on each side of the platform. Assumed load always center both ways on the outboard of the platform. All loads are static loads i.e. no load factors applied. Horizontal forces not taken into account. Reactions provided based on rigid supports i.e. effects on deflections of supporting slabs not factored into design. The information contained on this specification sheet comes from sources including the operator's manual, manufacturers and relevant engineers. Preston Rentals believes all information contained on this specification sheet is true and correct at the time of printing but accepts no responsibility for its accuracy. For full terms and conditions of equipment rental please contact Preston Rentals directly.

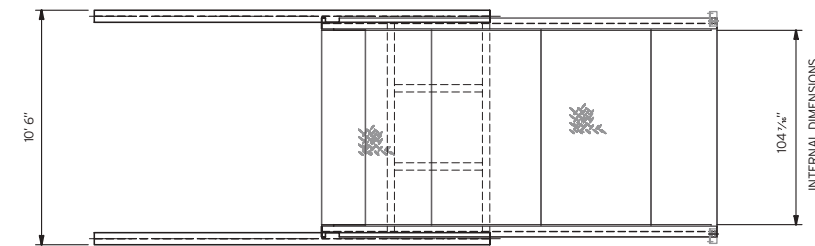
# SPECIFICATIONS SUPERDECK 3.2

# 2 PROP METHOD

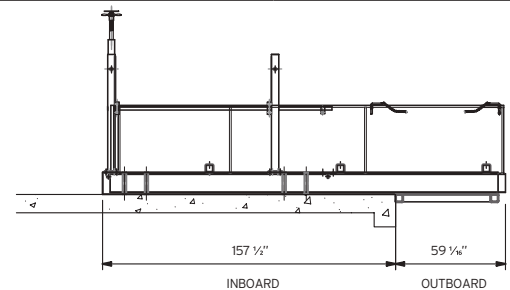
DIMENSIONS				TARE	
Length	27' 10 5/8"	Width	10' 6"	Height	47 1/4"
				Weight	6600 lb

## LOAD/REACTION IN POUNDS FORCE

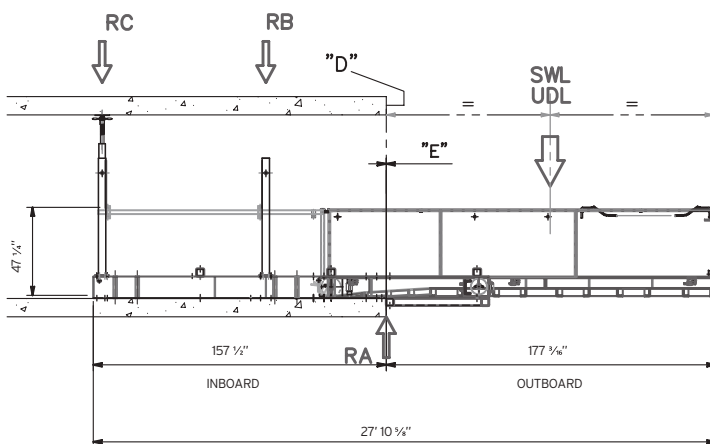
	177 3/8" Outboard	187" Outboard	196 5/8" Outboard	206 1/8" Outboard
SWL-UDL (lb)	11000 lb	8800 lb	7050 lb	5511 lb
RA* (lbf)	13264 lbf	12140 lbf	11466 lbf	10791 lbf
RB* (lbf)	N/A	N/A	N/A	N/A
RC* (lbf)	4946 lbf	4946 lbf	5171 lbf	5171 lbf
Deflections at outer wheel (")	7/16"	7/16"	9/16"	9/16"
Deflections at free end (")	1 3/4"	1 3/4"	1 13/16"	1 13/16"
E = (Distance from slab edge to back end of H frame) (")	0"	9 13/16"	19 1/16"	29 1/2"
D = (Distance from center line of inner prop to slab edge) (")	64 5/8"	54 13/16"	45"	35 5/32"



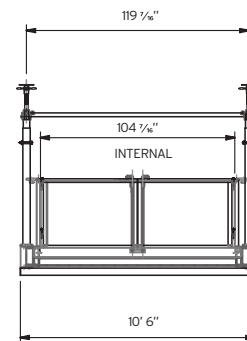
PLAN VIEW



SIDE ELEVATION - RETRACTED



SIDE ELEVATION - EXTENDED



FRONT ELEVATION

\*Reactions on each side of the platform.

Assumed load always center both ways on the outboard of the platform. All loads are static loads i.e. no load factors applied. Horizontal forces not taken into account. Reactions provided based on rigid supports i.e. effects on deflections of supporting slabs not factored into design.

The information contained on this specification sheet comes from sources including the operator's manual, manufacturers and relevant engineers. Preston Rentals believes all information contained on this specification sheet is true and correct at the time of printing but accepts no responsibility for its accuracy. For full terms and conditions of equipment rental please contact Preston Rentals directly.

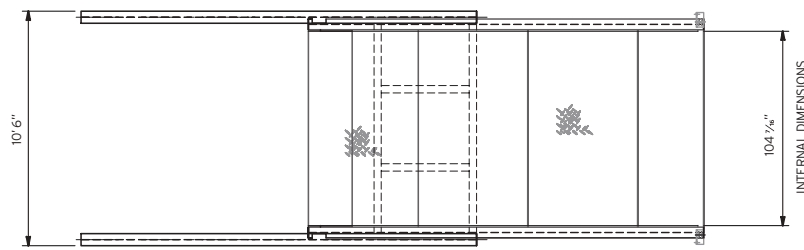
# SPECIFICATIONS SUPERDECK 3.2

# BOLTDOWN METHOD

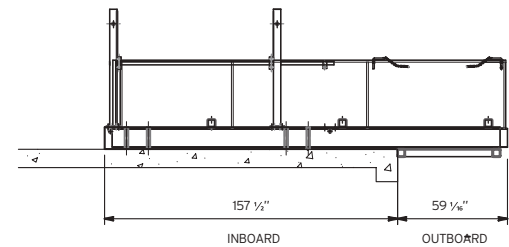
DIMENSIONS				TARE	
Length	27' 10 5/8"	Width	10' 6"	Height	47 1/4"
				Weight	6600 lb

## LOAD/REACTION IN POUNDS FORCE

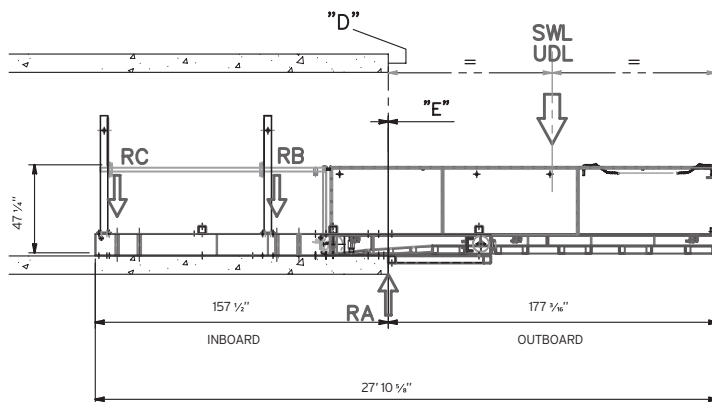
	177 3/16" Outboard	187" Outboard	196 5/16" Outboard	206 1/16" Outboard
SWL-UDL (lb)	11000 lb	8800 lb	7050 lb	5511 lb
RA* (lbf)	24505 lbf	25404 lbf	27653 lbf	31250 lbf
RB* (lbf)	16637 lbf	18435 lbf	20908 lbf	24505 lbf
RC* (lbf)	-1124 lbf	-674 lbf	-225 lbf	449 lbf
Deflections at outer wheel (")	1/4"	5/16"	5/16"	3/16"
Deflections at free end (")	1 5/16"	1 5/16"	1 5/16"	1 3/8"
E = (Distance from slab edge to back end of H frame) (")	0"	9 13/16"	19 1/16"	29 1/2"
D = (Distance from center line of inner prop to slab edge) (")	47 1/4"	38 7/16"	28 3/8"	18 1/2"



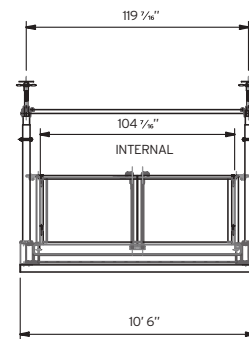
PLAN VIEW



SIDE ELEVATION - RETRACTED



SIDE ELEVATION - EXTENDED



FRONT ELEVATION

\*Reactions on each side of the platform.

Assumed load always center both ways on the outboard of the platform. All loads are static loads i.e. no load factors applied. Horizontal forces not taken into account. Reactions provided based on rigid supports i.e. effects on deflections of supporting slabs not factored into design.

The information contained on this specification sheet comes from sources including the operator's manual, manufacturers and relevant engineers. Preston Rentals believes all information contained on this specification sheet is true and correct at the time of printing but accepts no responsibility for its accuracy. For full terms and conditions of equipment rental please contact Preston Rentals directly.