



# **SUPERDECK® 4.2**

## **13'9"**

 **PRESTON RENTALS®**

COUNT ON US

Phone **888 399 DECK (3325)** | [prestonrentals.com](http://prestonrentals.com)

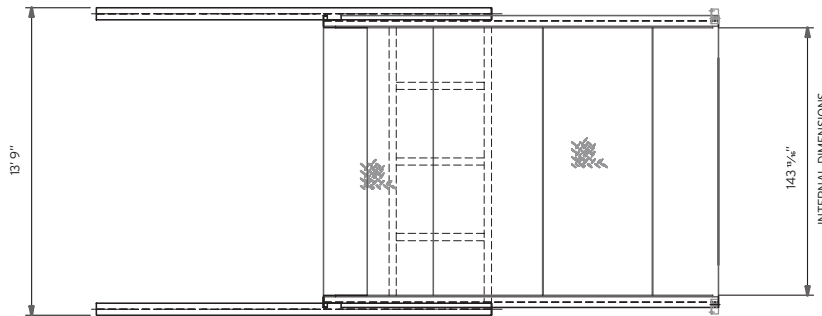
# SPECIFICATIONS SUPERDECK 4.2

# 4 PROP METHOD

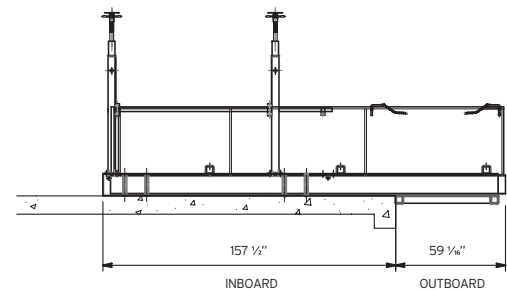
DIMENSIONS				TARE	
Length	27' 10 5/8"	Width	13' 9"	Height	47 1/4"
				Weight	7700 lb

## LOAD/REACTION IN POUNDS FORCE

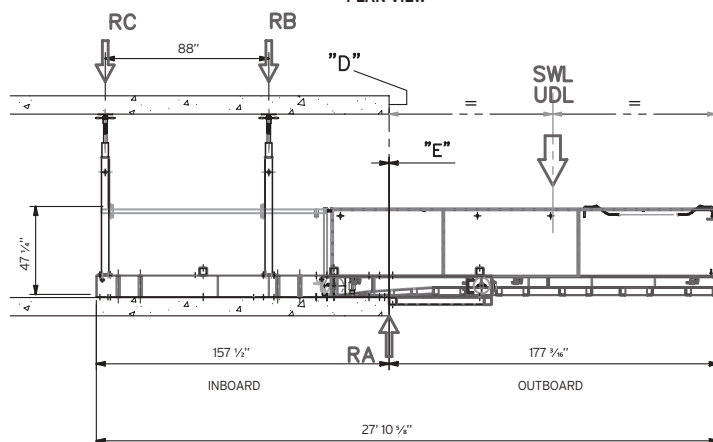
	177 3/8" Outboard	187" Outboard	196 5/8" Outboard	206 1/8" Outboard
SWL-UDL (lb)	11000 lb	8800 lb	7050 lb	5511 lb
RA* (lbf)	25404 lbf	26529 lbf	29002 lbf	33048 lbf
RB* (lbf)	16861 lbf	19109 lbf	21582 lbf	26079 lbf
RC* (lbf)	-899 lbf	-899 lbf	-225 lbf	225 lbf
Deflections at outer wheel (")	1/4"	3/8"	3/8"	7/16"
Deflections at free end (")	3/8"	7/16"	7/16"	9/16"
E = (Distance from slab edge to back end of H frame) (")	0"	9 13/16"	19 1/16"	29 1/2"
D = (Distance from center line of inner prop to slab edge) (")	64 5/8"	54 13/16"	45"	35 5/32"



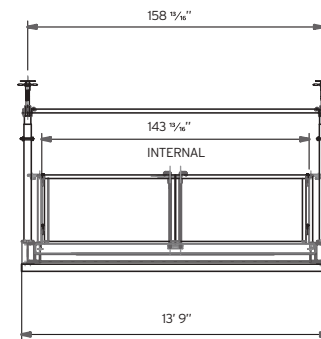
PLAN VIEW



SIDE ELEVATION - RETRACTED



SIDE ELEVATION - EXTENDED



FRONT ELEVATION

\*Reactions on each side of the platform.

Assumed load always center both ways on the outboard of the platform. All loads are static loads i.e. no load factors applied. Horizontal forces not taken into account. Reactions provided based on rigid supports i.e. effects on deflections of supporting slabs not factored into design.

The information contained on this specification sheet comes from sources including the operator's manual, manufacturers and relevant engineers. Preston Rentals believes all information contained on this specification sheet is true and correct at the time of printing but accepts no responsibility for its accuracy. For full terms and conditions of equipment rental please contact Preston Rentals directly.

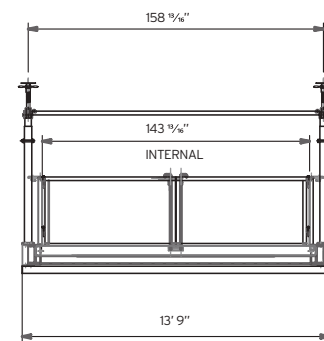
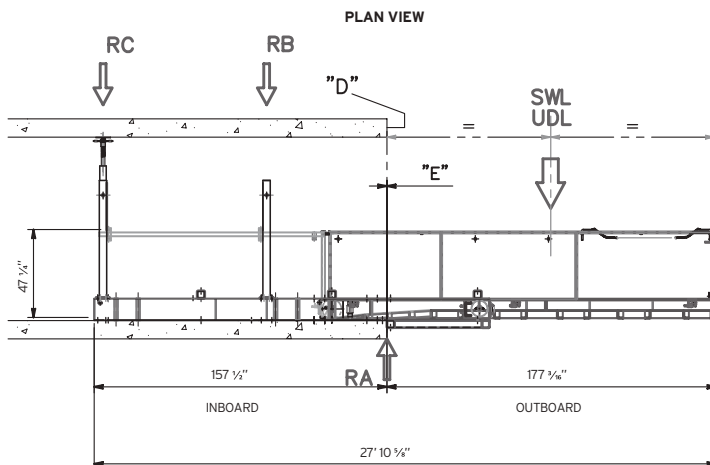
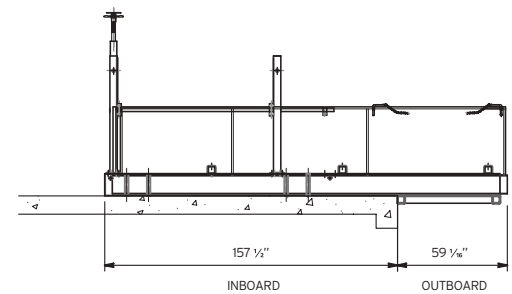
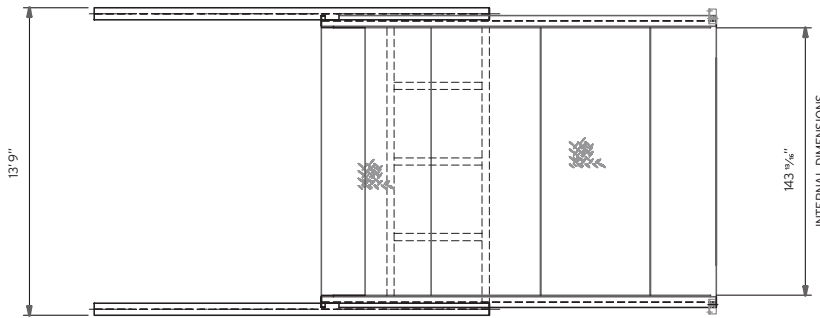
# SPECIFICATIONS SUPERDECK 4.2

# 2 PROP METHOD

DIMENSIONS				TARE	
Length	27' 10 5/8"	Width	13' 9"	Height	47 1/4"
				Weight	7700 lb

## LOAD/REACTION IN POUNDS FORCE

	177 3/16" Outboard	187" Outboard	196 5/16" Outboard	206 1/16" Outboard
SWL-UDL (lb)	11000 lb	8800 lb	7050 lb	5511 lb
RA* (lbf)	14163 lbf	13264 lbf	12590 lbf	11915 lbf
RB* (lbf)	N/A	N/A	N/A	N/A
RC* (lbf)	5395 lbf	5395 lbf	5620 lbf	5845 lbf
Deflections at outer wheel (")	7/16"	1/2"	9/16"	5/8"
Deflections at free end (")	1 7/8"	1 15/16"	2"	2"
E = (Distance from slab edge to back end of H frame) (")	0"	9 13/16"	19 1/16"	29 1/2"
D = (Distance from center line of inner prop to slab edge) (")	64 5/8"	54 13/16"	45"	35 5/32"



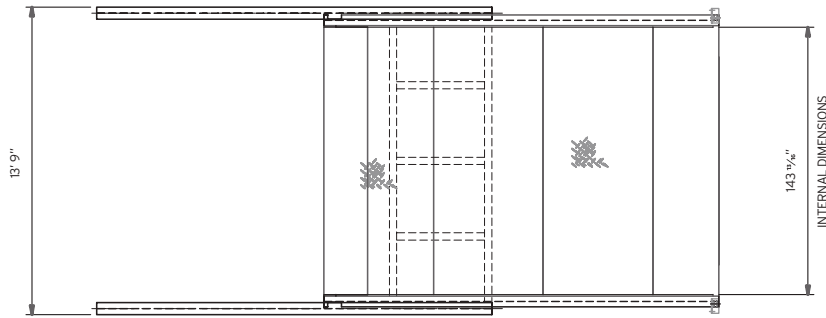
\*Reactions on each side of the platform. Assumed load always center both ways on the outboard of the platform. All loads are static loads i.e. no load factors applied. Horizontal forces not taken into account. Reactions provided based on rigid supports i.e. effects on deflections of supporting slabs not factored into design. The information contained on this specification sheet comes from sources including the operator's manual, manufacturers and relevant engineers. Preston Rentals believes all information contained on this specification sheet is true and correct at the time of printing but accepts no responsibility for its accuracy. For full terms and conditions of equipment rental please contact Preston Rentals directly.

# SPECIFICATIONS SUPERDECK 4.2

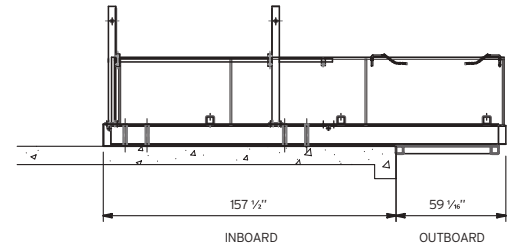
# BOLTDOWN METHOD

DIMENSIONS				TARE	
Length	27' 10 5/8"	Width	13' 9"	Height	47 1/4"
				Weight	7700 lb

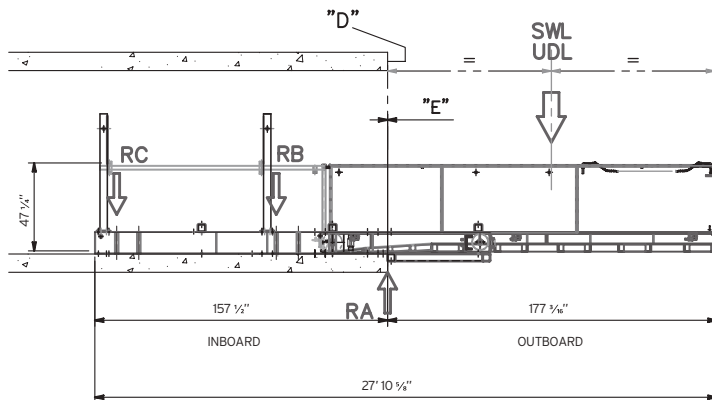
LOAD/REACTION IN POUNDS FORCE				
	177 3/16" Outboard	187" Outboard	196 5/16" Outboard	206 1/16" Outboard
SWL-UDL (lb)	11000 lb	8800 lb	7050 lb	5511 lb
RA* (lbf)	25854 lbf	26529 lbf	29676 lbf	34172 lbf
RB* (lbf)	17536 lbf	18660 lbf	22482 lbf	26753 lbf
RC* (lbf)	-1124 lbf	-674 lbf	-225 lbf	674 lbf
Deflections at outer wheel (")	1/4"	5/16"	3/8"	7/16"
Deflections at free end (")	1 3/8"	1 3/8"	1 7/16"	1 9/16"
E = (Distance from slab edge to back end of H frame) (")	0"	9 13/16"	19 1/16"	29 1/2"
D = (Distance from center line of inner prop to slab edge) (")	47 1/4"	38 7/16"	28 3/8"	18 1/2"



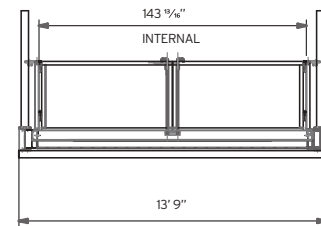
PLAN VIEW



SIDE ELEVATION - RETRACTED



SIDE ELEVATION - EXTENDED



FRONT ELEVATION

\*Reactions on each side of the platform. Assumed load always center both ways on the outboard of the platform. All loads are static loads i.e. no load factors applied. Horizontal forces not taken into account. Reactions provided based on rigid supports i.e. effects on deflections of supporting slabs not factored into design. The information contained on this specification sheet comes from sources including the operator's manual, manufacturers and relevant engineers. Preston Rentals believes all information contained on this specification sheet is true and correct at the time of printing but accepts no responsibility for its accuracy. For full terms and conditions of equipment rental please contact Preston Rentals directly.