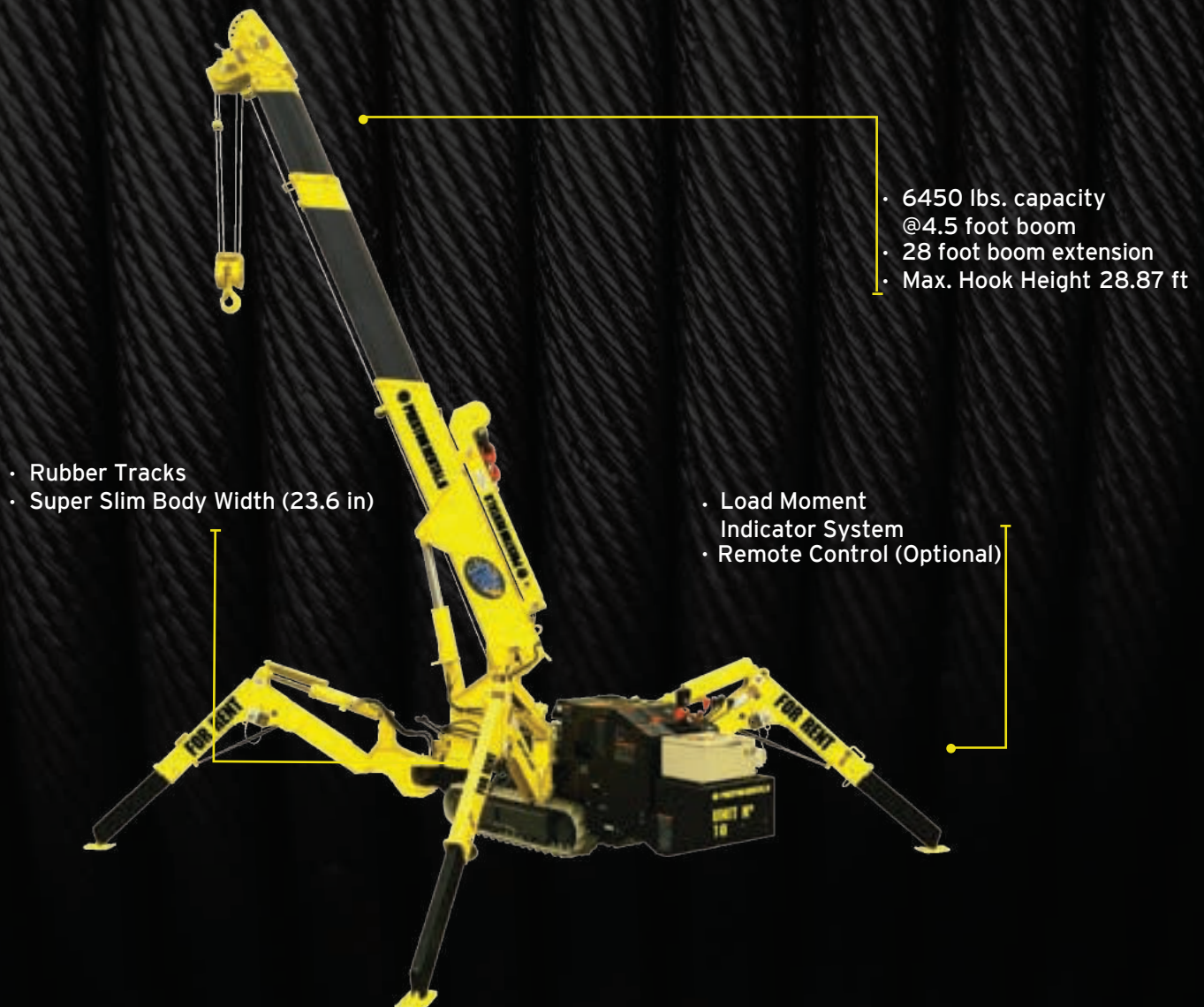


SUPERCRANE™ 295



The Preston Rentals SuperCrane™ 295 is narrow enough to allow access through a standard size single doorway, with 6,450 lbs of lifting power.

Stability sensor system provides the benefit of turnover protection for safety. Its outriggers allow for independent multi-angle configurations to place at the best position in restricted or confined area.

Easy and quickly installed searcher hook and fly jib options will increase working radius and lifting height further more. Consider the possibilities...



COUNT ON US

Phone 888 399 3325 | prestonrentals.com

SPECIFICATIONS SUPERCRAANE™ 295

DIMENSIONS

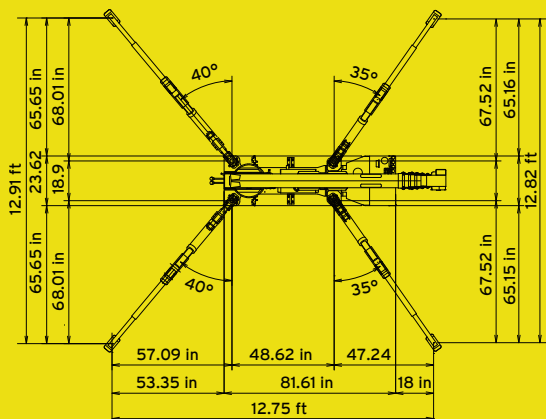
Length	9' 0"
Width	2' 0"
Height (with electric power unit)	4' 7"
Weight	4,497 lbs

CAPACITY

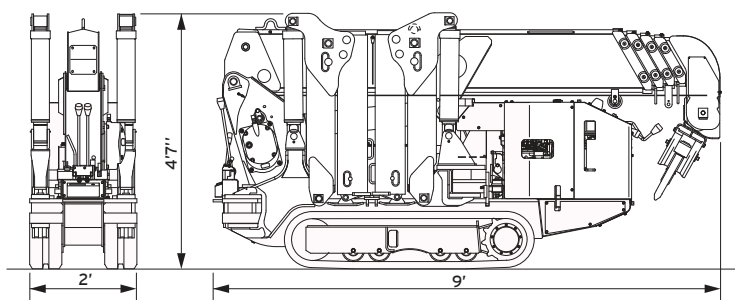
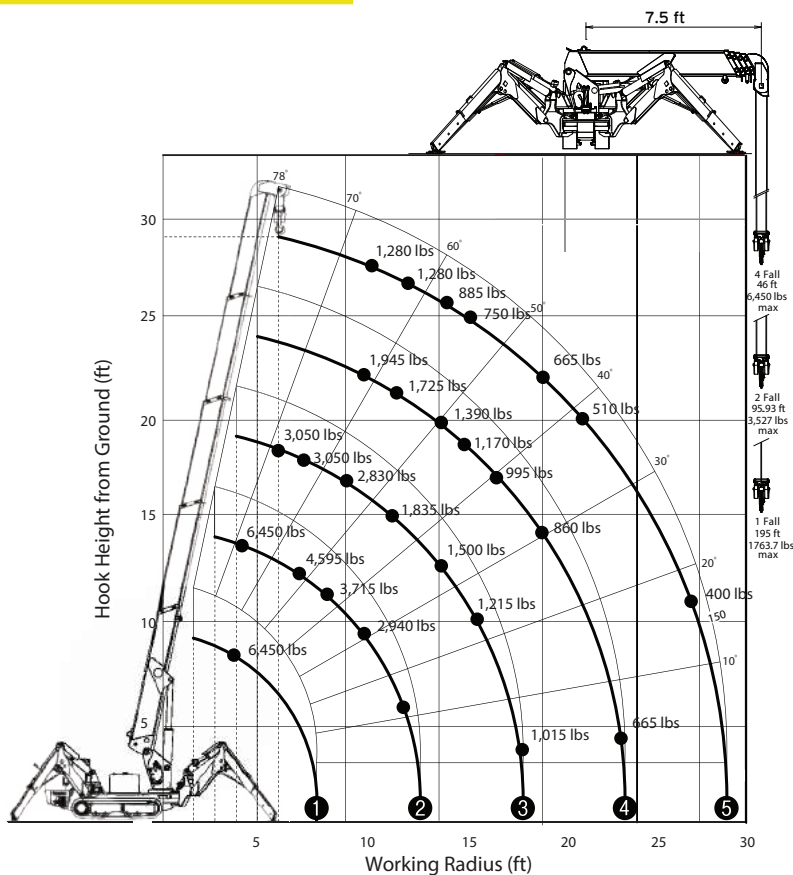
Max. capacity Max.	6,450 lbs at 4.6 ft
Max. working radius (main boom)	630 lbs at 27 ft
Max. lifting height (main boom)	28.3 ft

TRACK

Width	7.08 in
-------	---------



WORKING RANGE



- Gasoline and Liquid Propane equipped engine to be safely used indoors and outdoors
- Outrigger point loads: 152.2 psi on standard outrigger pads (7" x 4.5")
- Climb/descend up to 20° slopes

SPECIFICATIONS SUPERCRAANE™

295

LOAD CHART

Lifting capacity varies depending on outrigger configuration and boom length and angle.

BOOM SECTION 1 EXTENDED BOOM SECTION 1 + 2 EXTENDED										
Working Radius (ft.)	3	4.5	5	6	7	8	10	11	12.58	
Outriggers Maximum (lbs.)	6,450	6,450	5,850	4,950	4,350	3,800	2,850	2,450	2,000	
Outriggers Minimum (lbs.)	4,450	4,450	4,450	3,150	2,250	1,600	1,100	950	600	

BOOM SECTION 1 + 2 + 3 EXTENDED										
Working Radius (ft.)	7	8	9	10	11	12	14	15	17.62	
Outriggers Maximum (lbs.)	3,050	3,050	3,050	2,750	2,450	2,150	1,650	1,450	1,000	
Outriggers Minimum (lbs.)	1,850	1,550	1,250	1,150	1,000	850	600	550	300	

BOOM SECTION 1 + 2 + 3 + 4 EXTENDED										
Working Radius (ft.)	11	12.5	13	15	16	17	18	20	22.61	
Outriggers Maximum (lbs.)	1,950	1,950	1,750	1,350	1,200	1,100	1,000	850	660	
Outriggers Minimum (lbs.)	1,000	800	750	600	510	450	370	280	200	

BOOM SECTION 1 + 2 + 3 + 4 + 5 EXTENDED										
Working Radius (ft.)	12.5	13.5	15	16	18	19	21	23	25	27.59
Outriggers Maximum (lbs.)	1,280	1,280	1,050	920	750	700	590	500	440	350
Outriggers Minimum (lbs.)	850	700	600	530	420	380	300	220	180	130

RATED LOAD FOR EXTENSION JIB

5th BOOM SECTION ONLY												
Boom Angle	78°	75°	70°	65°	60°	55°	50°	40°	30°	20°	10°	0°
Tilt Angle	0°	920	920	920	590	480	370	260	PROHIBITED AREA OF CRANE OPERATIONS			
	20°	920	920	920	590	480	370	260				
	40°	920	920	920	590	480						
	60°	920	920	920	590	480						

RATED LOAD FOR SEARCHER HOOK

5th BOOM SECTION ONLY												
Working Radius (ft.)	12.5	13	15	16	18	20	21	23	26	30	32.5	
Outriggers Maximum (lbs.)	1,120	1,010	870	740	670	570	510	410	310	220	130	
Outriggers Minimum (lbs.)	560	460	330	280	190	120	110	PROHIBITED AREA OF CRANE OPERATIONS				

1 Part line - 2,100 lbs | 2 Part line - 4,100 lbs | 3 Part line - 5,000 lbs | 4 Part line - 6,450 lbs



COUNT ON US

Phone 888 399 3325 | prestonrentals.com

YOU CAN COUNT ON PRESTON RENTALS FOR YOUR SPECIALIZED CONSTRUCTION NEEDS

Preston Rentals meets the needs of leading building and construction companies by providing equipment throughout the entire North American continent.

For more information, rates or technical specifications on our products please call us today on 888 399 DECK (3325) or visit our website at www.prestonrentals.com



Specialized Equipment Rental **Solutions**

Preston Rentals (NV) LLC

5168 W. Eldorado Lane
Las Vegas, NV 89139
sales@prestonrentals.com

Preston Rentals (TX) LLC

3517 2nd Avenue S.
Texas City, TX 77590
sales@prestonrentals.com

Preston Rentals (CA) LLC

135 South State College Blvd
Suite 200, Brea, CA, 92821
sales@prestonrentals.com

Preston Rentals (TN)

3200 West End,
Nashville, TN 37203
sales@prestonrentals.com

Preston Rentals (CO)

1900 W Hamilton Place
Sheridan, CO 80110
sales@prestonrentals.com



COUNT ON US

Phone 888 399 DECK | prestonrentals.com