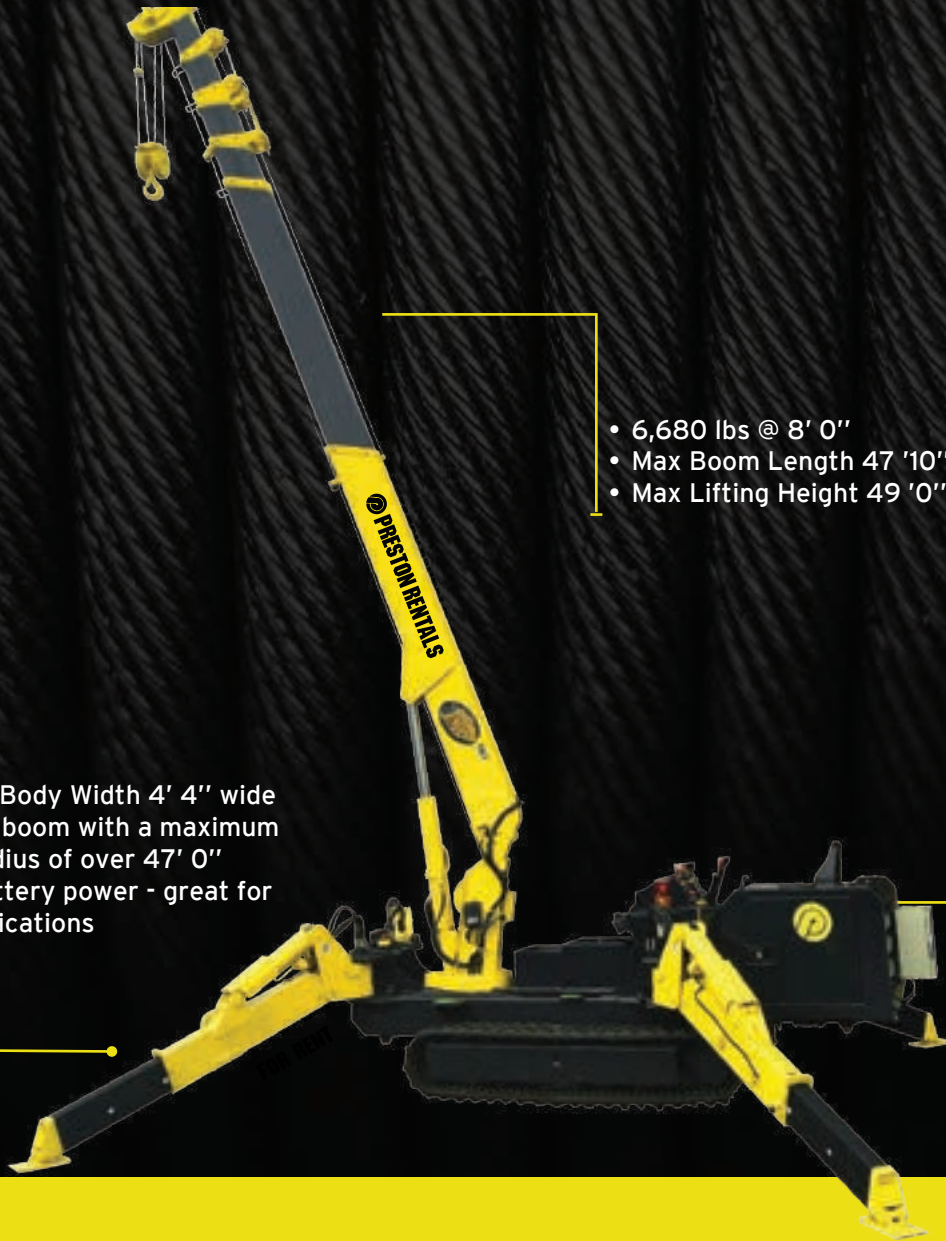


SUPERCRANE™ 376



- 6,680 lbs @ 8' 0"
- Max Boom Length 47' 10"
- Max Lifting Height 49' 0"

- Weight 8,840lbs
- Safe load indicator

- Super Slim Body Width 4' 4" wide
- Six section boom with a maximum working radius of over 47' 0"
- Diesel / Battery power - great for indoor applications

The Preston Rentals SuperCrane™ 376 features a six-section hydraulic boom to allow a maximum hook height of 49' 0". The middle size mini-crawler crane can be operated either from the onboard operator seat or from a distance using a remote control.

Its class-leading boom length of 47'10" brings wide working radius and excellent lifting height. Consider the possibilities...



COUNT ON US

Phone 888 399 3325 | prestonrentals.com

SPECIFICATIONS SUPERCRANE™

376

DIMENSIONS

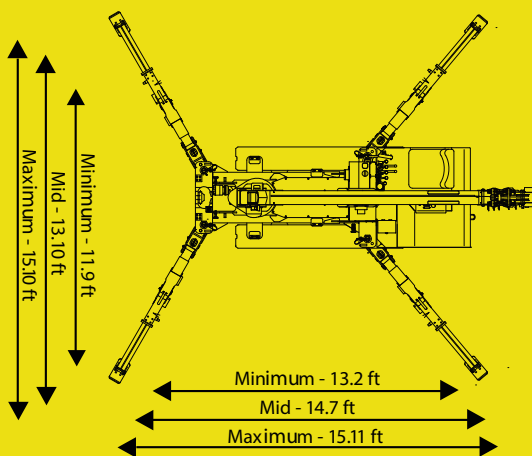
Length	14' 3"
Width	4' 3"
Height	5' 11"
Weight	8,760lbs

CAPACITY

Max. capacity Max.	6,680lbs at 8'0"
Max. working radius (main boom)	220lbs at 47' 4"
Max. lifting height (main boom)	48' 10"

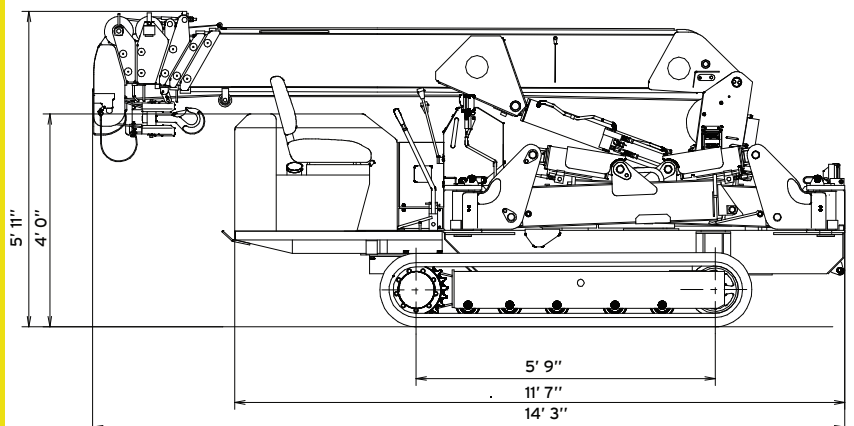
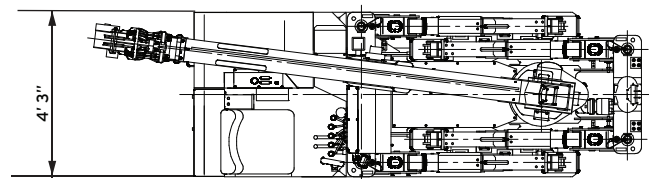
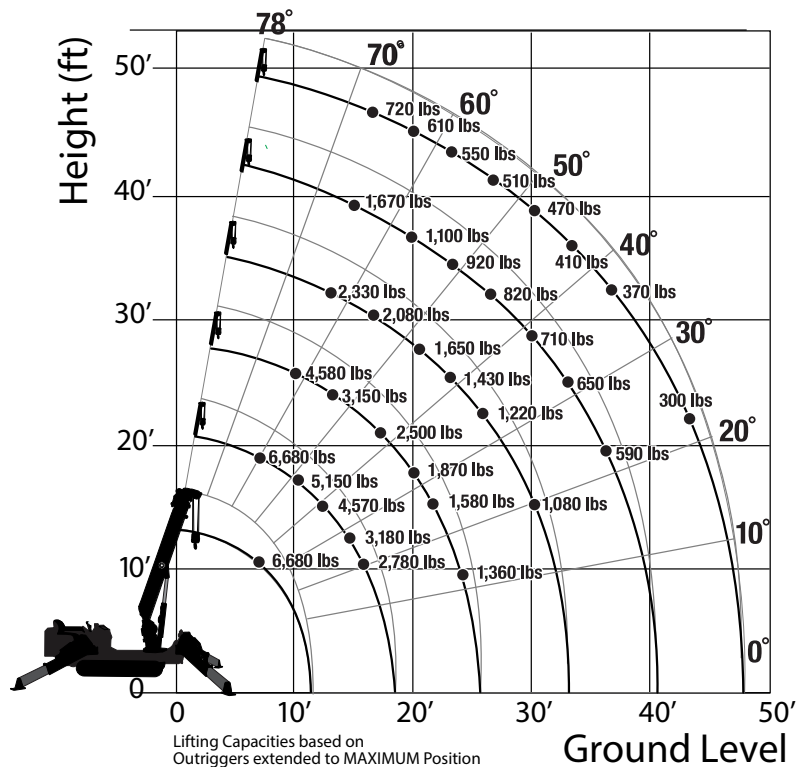
TRACK

Width	1'
-------	----



- Climb & descend terrain up to a 23° grade
- Track Ground Pressure: 5.22 psi"

WORKING RANGE



LOAD CHART SUPERCRAANE™

376

LOAD CHART

Lifting capacity varies depending on outrigger configuration, boom length and angle.

BOOM SECTION 1 EXTENDED BOOM SECTIONS 1 + 2 EXTENDED											
Working Radius (ft.)	6.5	8	10	11	13	15	17	18.6			
Outriggers Maximum (lbs.)	6,680	6,680	5,150	4,570	3,760	3,180	2,780	2,420			
Outriggers Halfway (lbs.)	6,680	6,680	5,100	4,520	3,600	2,750	2,100	1,760			
Outriggers Minimum (lbs.)	6,680	6,680	4,730	3,700	2,550	2,000	1,500	1,100			

BOOM SECTIONS 1 + 2 + 3 EXTENDED											
Working Radius (ft.)	8.5	10	11	13	15	16	18	20	23	25.8	
Outriggers Maximum (lbs.)	5,000	4,580	3,950	3,150	2,710	2,500	2,160	1,870	1,580	1,360	
Outriggers Halfway (lbs.)	5,000	4,500	3,900	3,150	2,570	2,350	1,870	1,410	1,050	880	
Outriggers Minimum (lbs.)	4,880	4,500	3,800	2,770	2,250	2,000	1,500	1,130	720	480	

BOOM SECTIONS 1 + 2 + 3 + 4 EXTENDED											
Working Radius (ft.)	13	15	16	20	23	26	30	33			
Outriggers Maximum (lbs.)	2,330	2,080	1,960	1,650	1,430	1,220	1,080	900			
Outriggers Halfway (lbs.)	2,330	2,060	1,940	1,500	1,170	910	650	500			
Outriggers Minimum (lbs.)	2,330	1,810	1,540	1,050	740	560	330	260			

BOOM SECTIONS 1 + 2 + 3 + 4 + 5 EXTENDED											
Working Radius (ft.)	15	16	20	23	26	30	33	36	40.2		
Outriggers Maximum (lbs.)	1,670	1,480	1,100	920	820	710	650	590	570		
Outriggers Halfway (lbs.)	1,670	1,480	1,070	920	780	650	550	440	350		
Outriggers Minimum (lbs.)	1,670	1,480	910	610	470	340	260	200	80		

BOOM SECTIONS 1 + 2 + 3 + 4 + 5 + 6 EXTENDED											
Working Radius (ft.)	16	18	20	23	26	30	33	36	39	43	47.3
Outriggers Maximum (lbs.)	720	660	610	550	510	450	410	370	350	300	280
Outriggers Halfway (lbs.)	720	660	610	550	510	450	410	330	270	190	150
Outriggers Minimum (lbs.)	730	670	620	550	450	290	240	170	130	110	80

Disclaimer : All information provided in this publication is correct at time of printing. Please contact Preston Rentals for any updated versions.

YOU CAN COUNT ON PRESTON RENTALS FOR YOUR SPECIALIZED CONSTRUCTION NEEDS

Preston Rentals meets the needs of leading building and construction companies by providing equipment throughout the entire North American continent.

For more information, rates or technical specifications on our products please call us today on 888 399 DECK (3325) or visit our website at www.prestonrentals.com



Specialized Equipment Rental **Solutions**

Preston Rentals (NV) LLC

5168 W. Eldorado Lane
Las Vegas, NV 89139
sales@prestonrentals.com

Preston Rentals (TX) LLC

3517 2nd Avenue S.
Texas City, TX 77590
sales@prestonrentals.com

Preston Rentals (CA) LLC

135 South State College Blvd
Suite 200, Brea, CA, 92821
sales@prestonrentals.com

Preston Rentals (TN)

3200 West End,
Nashville, TN 37203
sales@prestonrentals.com

Preston Rentals (CO)

1900 W Hamilton Place
Sheridan, CO 80110
sales@prestonrentals.com



COUNT ON US

Phone 888 399 DECK | prestonrentals.com