

SUPERCRANE™

547

- 8,920 lbs. Capacity @ 8 ft
- 68 ft. Tip Height
- 59 ft. Max Lifting Height

- 58.5 ft. Working Radius
- 4' 7" Super Slim Body Width
- Diesel / Battery Power.
Great for indoor applications

- Safe load indicator
- Radio Remote Control (Equipped)

The Preston Rentals SuperCrane™ 547 offers extended reach, providing a maximum lifting height of 59 ft. and a maximum lifting capacity of 8,920 lbs. An option of additional length is given with a quickly installed searcher hook with varying angles (0° - 60°) and a maximum capacity of 1,102 lbs. Consider the possibilities...



COUNT ON US

Phone 888 399 3325 | prestonrentals.com

SPECIFICATIONS SUPERCRANE™

547

DIMENSIONS

Length	16'4"
Width	4' 7"
Height	6'6"
Weight	11,375 lbs

CAPACITY

Crane capacity	8920 lbs. 8 ft
Max working radius	58.5 ft
Max lifting height	59 ft
Rope length	316 ft. of Rope (1 part)
Point loadings	Due to the many variables involved, point loadings are only available on request

TRACK

Width	1'0"
Traction system drive:	hydrostatic 2-speed, stepless forward and reverse
Travel speed:	0 - 3.9 mph
Gradability:	Climb / descend up to 23° grades
Track ground length:	5'8"

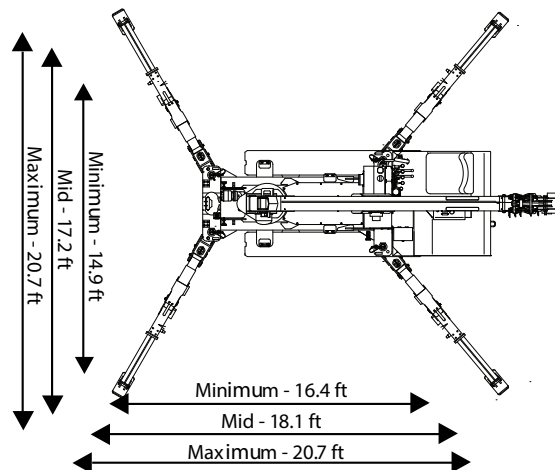
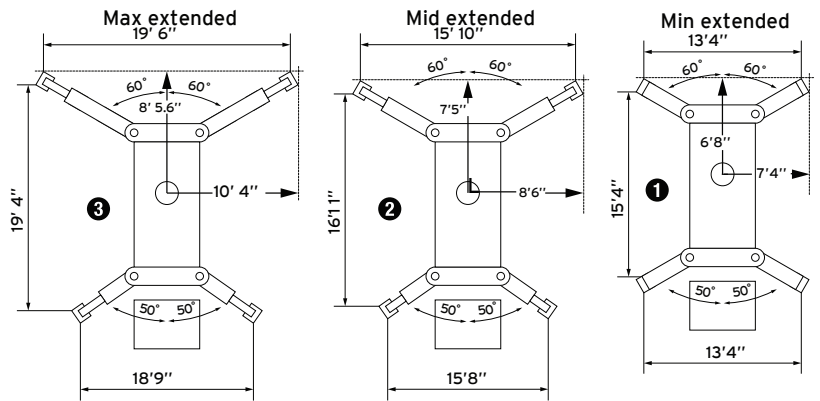
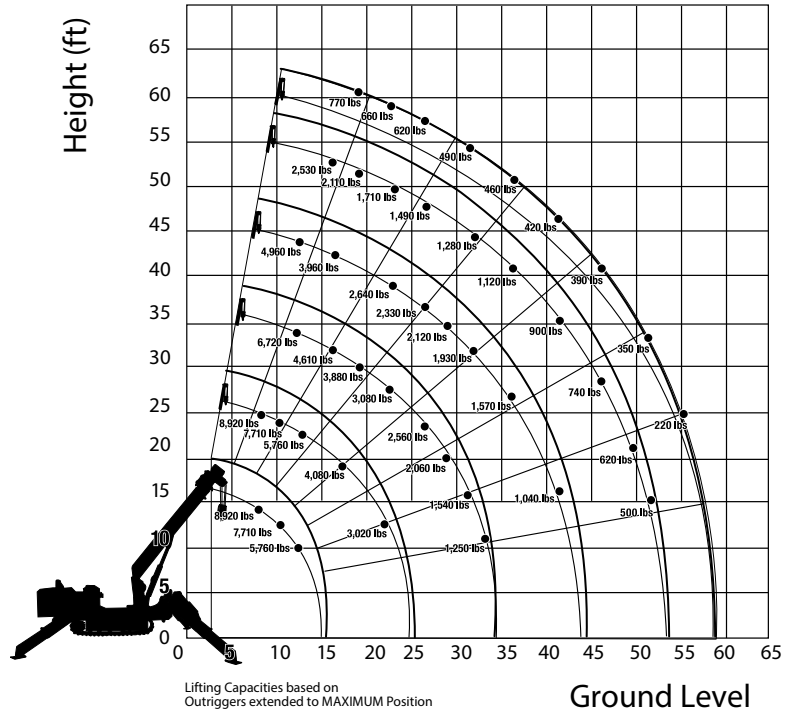
BOOM

Hook speed approx:	46'/min (with 5 layers and 4 falls)
Derricking angle/ speed approx:	0 - 80°/18.0 seconds
Swing Rotation	360° continuous drive

TELESCOPIC SYSTEM

Boom length:	13' - 59'2"
Telescoping speed:	46'/35 seconds
Boom type:	7 section hydraulically telescoping boom, hexagonal box construction

WORKING RANGE



LOAD CHART SUPERCRANE™

547

LOAD CHART

Lifting capacity varies depending on outrigger configuration, boom length and angle.

BOOM SECTION 1 EXTENDED BOOM SECTIONS 1 + 2 EXTENDED													
Working Radius (ft.)	8.0	10.0	11.0	13.0	14.0	16.0	18.0	19.0	23.0	24.6			
Outriggers Maximum (lbs.)	8,920	7,710	7,010	5,760	5,350	4,610	4,080	3,830	3,080	2,970			
Outriggers Halfway (lbs.)	8,920	7,710	7,010	5,760	5,300	4,350	3,710	3,400	2,340	2,000			
Outriggers Minimum (lbs.)	8,920	7,710	7,010	5,760	5,160	3,960	3,020	2,660	1,760	1,470			

BOOM SECTIONS 1 + 2 + 3 EXTENDED													
Working Radius (ft.)	11.0	13.0	16.0	19.0	23.0	26.0	29.0	32.0	34.3				
Outriggers Maximum (lbs.)	6,720	5,760	4,610	3,230	3,080	2,560	2,060	1,540	1,250				
Outriggers Halfway (lbs.)	6,720	5,760	4,350	3,100	2,540	1,980	1,580	1,250	1,060				
Outriggers Minimum (lbs.)	6,720	5,760	3,910	2,810	1,960	1,490	1,170	930	770				

BOOM SECTIONS 1 + 2 + 3 + 4 EXTENDED													
Working Radius (ft.)	13.0	14.0	16.0	19.0	23.0	26.0	29.0	32.0	36.0	39.0	42.0	43.9	
Outriggers Maximum (lbs.)	4,960	4,510	3,960	3,230	2,640	2,330	2,120	1,930	1,570	1,240	1,040	940	
Outriggers Halfway (lbs.)	4,960	4,350	3,750	3,100	2,425	2,000	1,700	1,400	1,100	920	780	690	
Outriggers Minimum (lbs.)	4,960	4,350	3,750	2,810	1,870	1,540	1,290	1,030	810	670	550	480	

BOOM SECTIONS 1 + 2 + 3 + 4 + 5 EXTENDED														
Working Radius (ft.)	16.0	18.0	19.0	23.0	26.0	29.0	32.0	36.0	39.0	42.0	46.0	49.0	52.0	53.4
Outriggers Maximum (lbs.)	2,530	2,210	2,110	1,710	1,490	1,380	1,280	1,120	1,020	900	740	620	520	480
Outriggers Halfway (lbs.)	2,530	2,210	2,110	1,650	1,440	1,280	1,140	1,000	890	790	660	540	450	420
Outriggers Minimum (lbs.)	2,530	2,210	2,060	1,650	1,220	1,050	980	860	760	640	500	420	340	330

BOOM SECTIONS 1 + 2 + 3 + 4 + 5 + 6 EXTENDED														
Working Radius (ft.)	19.0	23.0	26.0	29.0	32.0	36.0	39.0	42.0	46.0	49.0	52.0	55.0	58.5	
Outriggers Maximum (lbs.)	770	660	620	560	490	460	440	420	390	370	350	300	220	
Outriggers Halfway (lbs.)	770	660	620	560	490	460	440	420	390	370	350	300	220	
Outriggers Minimum (lbs.)	770	660	620	560	490	460	440	420	390	370	350	300	220	

The total rated load charts are based on the actual working radius including boom deflection.

Disclaimer : All information provided in this publication is correct at time of printing. Please contact Preston Rentals for any updated versions.

YOU CAN COUNT ON PRESTON RENTALS FOR YOUR SPECIALIZED CONSTRUCTION NEEDS

Preston Rentals meets the needs of leading building and construction companies by providing equipment throughout the entire North American continent.

For more information, rates or technical specifications on our products please call us today on 888 399 DECK (3325) or visit our website at www.prestonrentals.com



Specialized Equipment Rental **Solutions**

Preston Rentals (NV) LLC

5168 W. Eldorado Lane
Las Vegas, NV 89139
sales@prestonrentals.com

Preston Rentals (TX) LLC

3517 2nd Avenue S.
Texas City, TX 77590
sales@prestonrentals.com

Preston Rentals (CA) LLC

135 South State College Blvd
Suite 200, Brea, CA, 92821
sales@prestonrentals.com

Preston Rentals (TN)

3200 West End,
Nashville, TN 37203
sales@prestonrentals.com

Preston Rentals (CO)

1900 W Hamilton Place
Sheridan, CO 80110
sales@prestonrentals.com



COUNT ON US

Phone 888 399 DECK | prestonrentals.com