

SUPERCRANE™ 305



- 6,560lb
- Max. Working Radius 39.8'

- 4/2 Fall hook block
- Remote Control (Optional)

The SuperCrane 305 is the first of the “ride on” Preston Rentals mini cranes and is extremely powerful for its small stature - up to 6,560lb of lifting power. The superior quality and engineering of the Preston Rentals product along with its key features make this crane one of the most popular in the range. Consider the possibilities...



COUNT ON US

Phone 888 399 3325 | prestonrentals.com

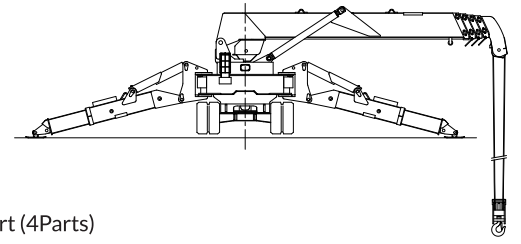
SPECIFICATIONS SUPERCRAANE™

305

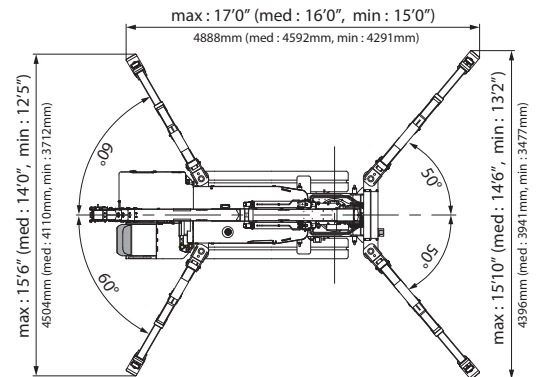
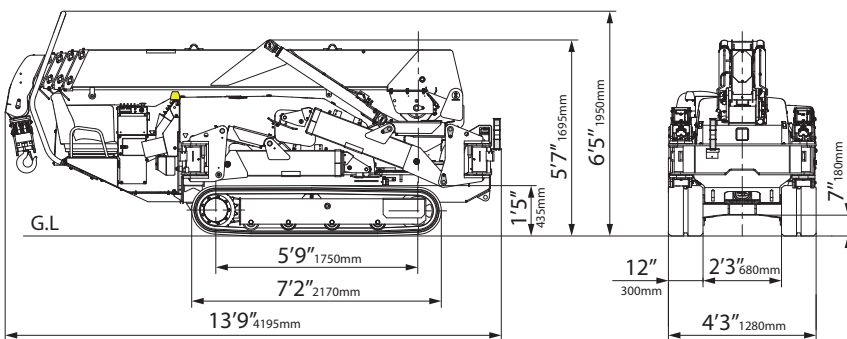
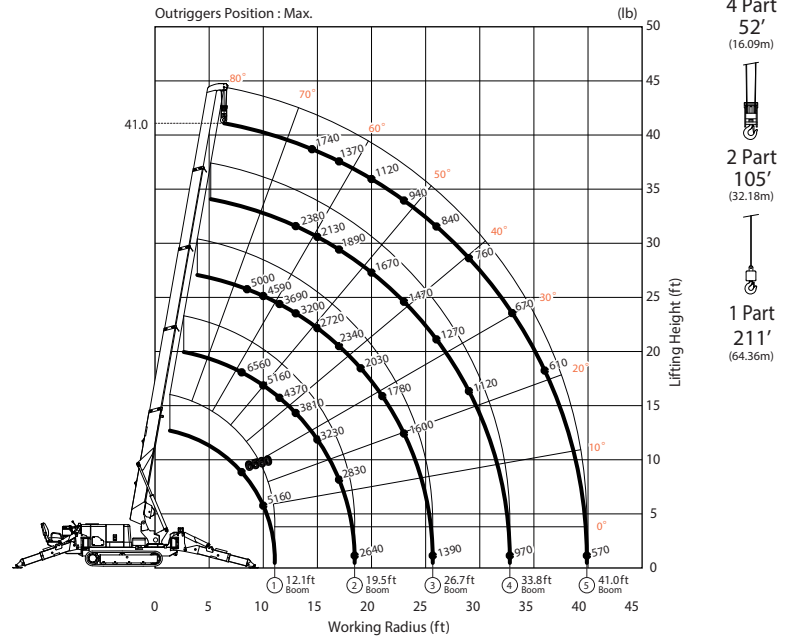
SPECIFICATIONS

MODEL		MC305C-3
Maximum Capacity		6,560lb (2,980kg)
Maximum Working Radius		39.8'
Maximum Lifting Height		41.0'
Hook Speed		44.3 ft./min 4 Part/4th Layer
Hoist Rope		IWRC 6 x WS(26) 8mm x 240'
Boom System	Type	Automatic 5 Section, Pentagonal Telescopic
	Length	12.1' - 41.0'
	Telescopic Stroke / Speed	28.8' / 26 sec
Boom Hoist Angle / Speed		0° - 80° / 14.5 sec
Swing Radius / Speed		360° / 2.4 RPM
Travel Crawler System		Drive Hydraulic Motor, Stepless Speed Changer
	Travel Speed	0 - 1.74 mph
	Gradability	20° Design Limit 15° Set Limit
	Ground Pressure	5.40 PSI Diesel Model 5.59 PSI Electric Dual Power Model
Engine	Type	Yanmar 3TNV80F-SNMB 4 Cycle, 3 Cylinder, Water Cooled
	Rated Output	20.38 hp / 2400 min-1, 20.7 ps / 2400 RPM
	Fuel Tank	10.5 Gallon
Electric Motor (Dual Power)	Type	Totally Enclosed Fan Cooled Motor
	Size	5.5 kw, 4P, 230V, 3 phase, Inverter 30 hz - 60 hz
Remote Control	Standard	Cable Remote Control, Crane & Outrigger Operation, Graduated Micro Speed, Load & Rated Load LCD Display
Dimensions	Stowed L x W x H	L 13'9" x W 4'3" x H 6'5"
Net Weight		Diesel Model 8,600 lb. Electric Dual Power + 300 lb.
Optional Equipment		Boom Tip Searcher Hook, Wireless Remote, White Rubber Tracks, Single Part Ball/Hook, Man Basket, Rotation Resistant Wire Rope, Oktopus Glass Lifter/Manipulator, Custom Paint Color, Exhaust Scrubber, Transport Trailer, Outrigger Pads Searcher Hook 1,870lb (850kg) / 3,300lb (1,500kg)

WORKING RANGE



Working Range Chart (4Parts)



SPECIFICATIONS SUPERCRAANE™

305

LOAD CHART

MAXIMUM Outriggers, 4 PART LINE					
Boom Length	12.1Ft.	12.2 - 19.5 Ft.	19.6 - 26.7 Ft.	26.8 - 33.8 Ft.	33.9 - 41.0 Ft.
Radius (Ft.)	Load (Lbs.)	Load (Lbs.)	Load (Lbs.)	Load (Lbs.)	Load (Lbs.)
8.0	6560	6560			
8.5	6280	6280	5000		
10.0	5160	5160	4590		
11.5		4370	3690		
13.0		3810	3200	2380	
14.5		3350	2830	2200	1740
15.0		3230	2720	2130	1690
17.0		2830	2340	1890	1370
18.0		2640	2180	1790	1270
19.0			2030	1730	1190
20.0			1890	1670	1120
21.0			1780	1610	1050
23.0			1600	1470	940
25.5			1390	1300	850
26.0				1270	840
29.0				1120	760
32.5				970	680
33.0					670
36.0					610
39.5					570

MINIMUM Outriggers, 4 PART LINE					
Boom Length	12.1Ft.	12.2 - 19.5 Ft.	19.6 - 26.7 Ft.	26.8 - 33.8 Ft.	33.9 - 41.0 Ft.
Radius (Ft.)	Load (Lbs.)	Load (Lbs.)	Load (Lbs.)	Load (Lbs.)	Load (Lbs.)
8.0	6560	6560			
8.5	6260	6260	5000		
10.0	5050	5050	4530		
11.5		3950	3690		
13.0		3200	3060	2300	
14.5		2600	2550	2120	1710
15.0		2440	2390	2060	1670
17.0		1970	1890	1820	1350
18.0		1800	1740	1700	1240
19.0			1580	1570	1150
20.0			1430	1460	1070
21.0			1300	1350	1010
23.0			1120	1160	890
25.5			950	970	810
26.0				940	790
29.0				770	710
32.5				660	640
33.0					630
36.0					530
39.5					460

Disclaimer : All information provided in this publication is correct at time of printing. Please contact Preston Rentals for any updated versions.



COUNT ON US

Phone 888 399 3325 | prestonrentals.com

YOU CAN COUNT ON PRESTON RENTALS FOR YOUR SPECIALIZED CONSTRUCTION NEEDS

Preston Rentals meets the needs of leading building and construction companies by providing equipment throughout the entire North American continent.

For more information, rates or technical specifications on our products please call us today on 888 399 DECK (3325) or visit our website at www.prestonrentals.com



Specialized Equipment Rental **Solutions**

Preston Rentals (NV) LLC

5168 W. Eldorado Lane
Las Vegas, NV 89139
sales@prestonrentals.com

Preston Rentals (TX) LLC

3517 2nd Avenue S.
Texas City, TX 77590
sales@prestonrentals.com

Preston Rentals (CA) LLC

135 South State College Blvd
Suite 200, Brea, CA, 92821
sales@prestonrentals.com

Preston Rentals (TN)

3200 West End,
Nashville, TN 37203
sales@prestonrentals.com

Preston Rentals (CO)

1900 W Hamilton Place
Sheridan, CO 80110
sales@prestonrentals.com



COUNT ON US

Phone 888 399 DECK | prestonrentals.com