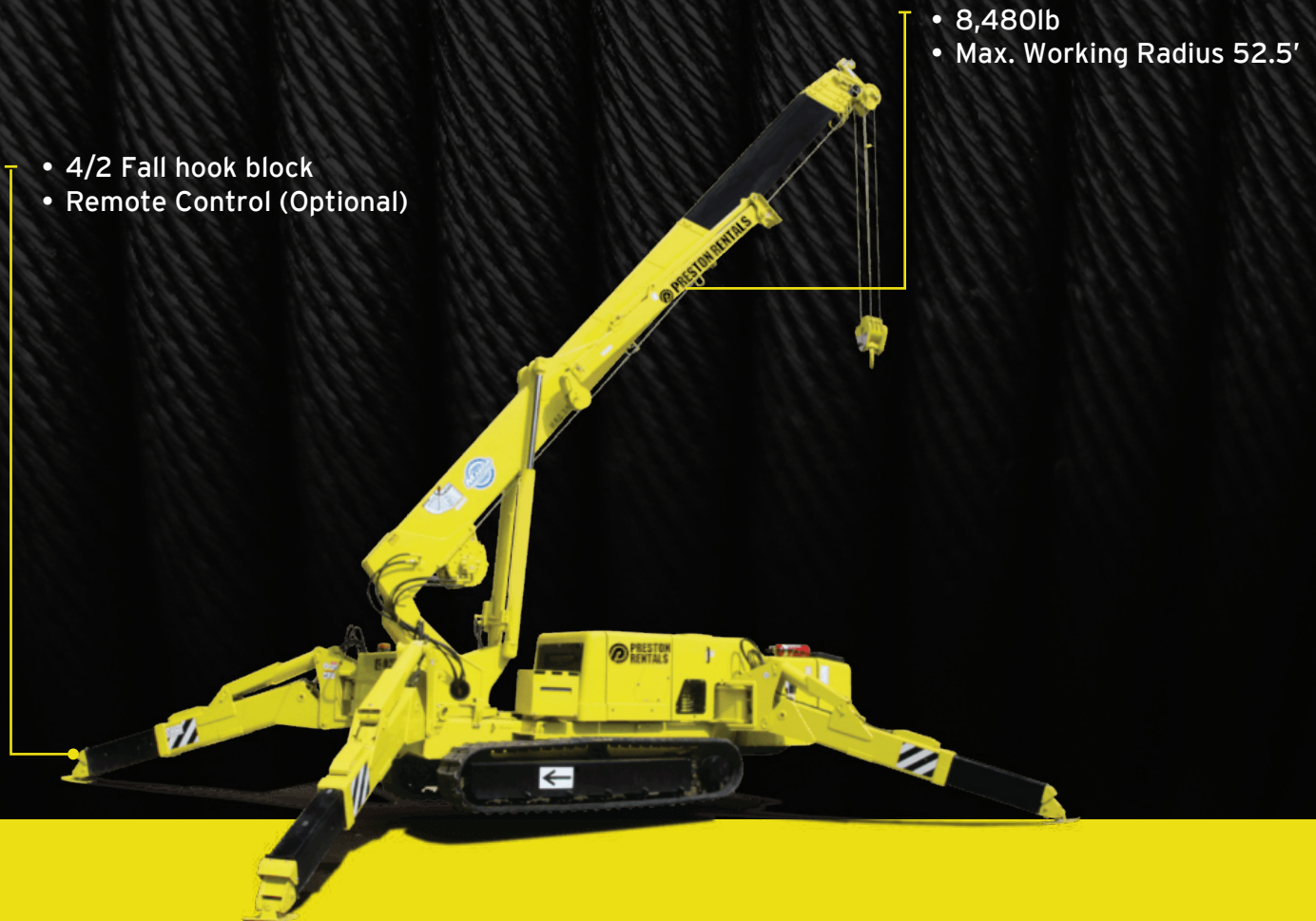


SUPERCRANE™ 405



The SuperCrane 405 is the first of the "ride on" Preston Rentals mini cranes and is extremely powerful for its small stature - up to 8,480lb of lifting power. The superior quality and engineering of the Preston Rentals product along with its key features make this crane one of the most popular in the range. Consider the possibilities...



COUNT ON US

Phone 888 399 3325 | prestonrentals.com

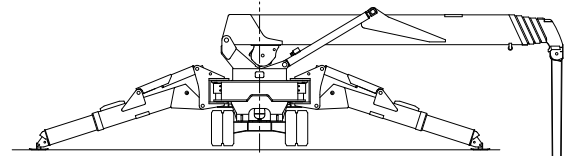
SPECIFICATIONS SUPERCRANE™

405

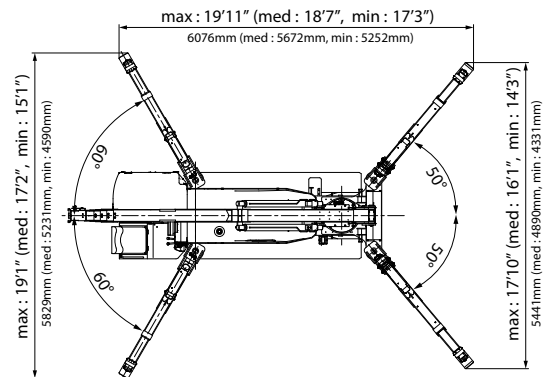
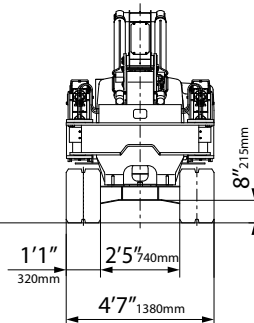
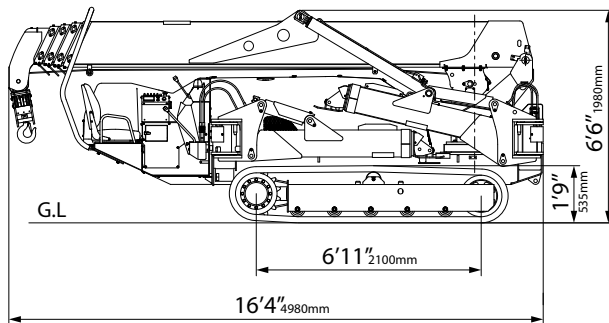
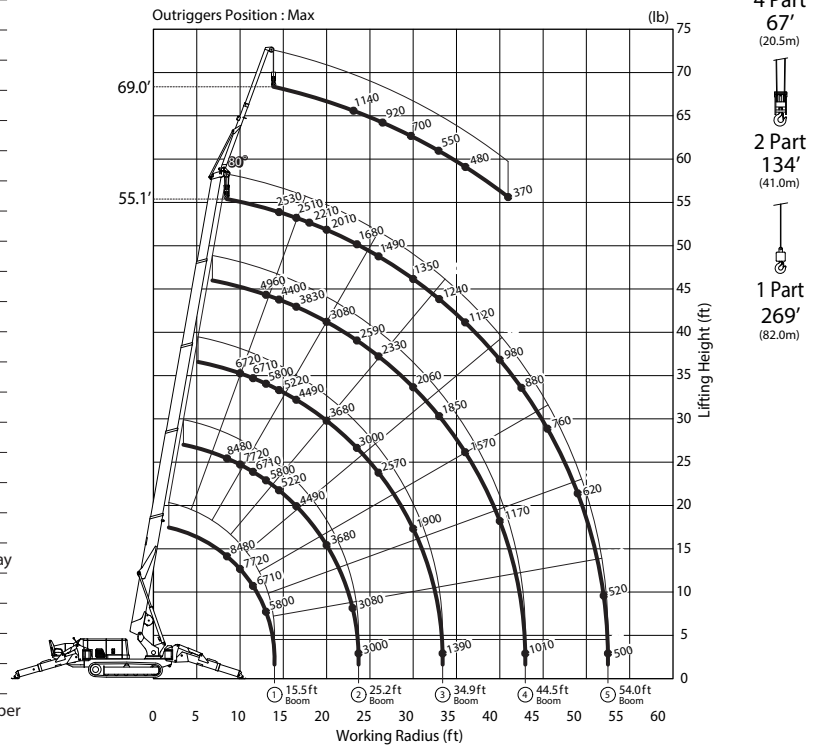
SPECIFICATIONS

| Model | | MC405C-3 |
|-----------------------------|---------------------------|--|
| Maximum Capacity | | 8,480lb (3,830kg) |
| Maximum Working Radius | | 52.5' |
| Maximum Lifting Height | | 55.1', 69.0' w/ Fly Jib |
| Hook Speed | | 39.4 ft./min [59 ft./min] 4 Part/4th Layer |
| Hoist Rope | | IWRC 6 x WS(26) 8mm x 301' |
| Boom System | Type | Automatic 5 Section, Pentagonal Telescopic |
| | Length | 15.5' - 54.5' |
| | Telescopic Stroke / Speed | 38.5' / 54.2 sec [41.3 sec] |
| Fly Jib | Type | Single Length, Box Tube, 1 Point Sheave |
| | Length | 14.8', Total Boom + Fly Jib - 68.8' |
| | Stowage | Swing Away, Side Stowed On Boom Base |
| Boom Hoist Angle / Speed | | 0° - 80° / 24.5 sec [17 sec] |
| Swing Radius / Speed | | 360° / 2.1 RPM [2.5 RPM] |
| Travel Crawler System | Drive | Hydraulic Motor, Stepless Speed Changer |
| | Travel Speed | 0 - 1.80 mph |
| | Gradability | 20° Design Limit 15° Set Limit |
| | Ground Pressure | 7.25 PSI Diesel Model 7.40 PSI Electric Dual Power Model |
| Engine | Type | Yanmar 3TNV88F-EPMB 4 Cycle, 3 Cylinder, Water Cooled |
| | Rated Output | 23.5 hp / 2400 min-1, 28.3 ps / 2400 RPM |
| | Fuel Tank | 15.8 Gallon |
| Electric Motor (Dual Power) | Type | Totally Enclosed Fan Cooled Motor |
| | Size | 7.5 kw, 4P, 230V, 3 phase, Inverter 30 hz - 60 hz |
| Remote Control | Standard | Cable Remote Control, Crane & Outrigger Operation, Graduated Micro Speed, Load & Rated Load LCD Display |
| Pick & Carry Capacity | | 1,100 lb (500kg) |
| Dimensions | Stowed L x W x H | L 16'4" x W 4'7" x H 6'6" |
| Net Weight | | Diesel Model 12,400 lb. Electric Dual Power +279 lb. |
| | | Fly Jib +330 lb. |
| Optional Equipment | | Boom Tip Searcher Hook, Wireless Remote, White Rubber Tracks, Single Part Ball/Hook, Man Basket, Rotation Resistant Wire Rope, Oktopus Glass Lifter/Manipulator, Custom Paint Color, Exhaust Scrubber, Transport Trailer, Outrigger Pads Searcher Hook 1,870lb (850kg) / 3,300lb (1,500kg) Fly jib 1,140lb (520kg) |

WORKING RANGE



Working Range Chart (4Parts)



COUNT ON US

Phone 888 399 3325 | prestonrentals.com

SPECIFICATIONS SUPERCRAANE™

405

LOAD CHART

| MAXIMUM Outriggers, 4 PART LINE | | | | | |
|---------------------------------|-------------|-----------------|-----------------|-----------------|-----------------|
| Boom Length | 15.5 Ft. | 15.6 - 25.2 Ft. | 25.3 - 34.9 Ft. | 35.0 - 44.5 Ft. | 44.6 - 54.0 Ft. |
| Radius (Ft.) | Load (Lbs.) | Load (Lbs.) | Load (Lbs.) | Load (Lbs.) | Load (Lbs.) |
| 8.5 | 8480 | 8480 | | | |
| 10.0 | 7720 | 7720 | 6720 | | |
| 11.5 | 6710 | 6710 | 6710 | | |
| 13.0 | 5800 | 5800 | 5800 | 4960 | |
| 14.5 | | 5220 | 5220 | 4400 | 2530 |
| 16.5 | | 4490 | 4490 | 3830 | 2510 |
| 18.0 | | 4140 | 4140 | 3500 | 2210 |
| 20.0 | | 3680 | 3680 | 3080 | 2010 |
| 23.0 | | 3080 | 3080 | 2640 | 1710 |
| 23.5 | | 3000 | 3000 | 2590 | 1680 |
| 26.0 | | | 2570 | 2330 | 1490 |
| 30.0 | | | 1900 | 2060 | 1350 |
| 33.0 | | | 1390 | 1850 | 1240 |
| 36.0 | | | | 1570 | 1120 |
| 40.0 | | | | 1170 | 980 |
| 42.5 | | | | 1010 | 880 |
| 45.5 | | | | | 760 |
| 49.0 | | | | | 620 |
| 52.0 | | | | | 520 |
| 52.4 | | | | | 500 |

| MINIMUM Outriggers, 4 PART LINE | | | | | |
|---------------------------------|-------------|-----------------|-----------------|-----------------|-----------------|
| Boom Length | 15.5 Ft. | 15.6 - 25.2 Ft. | 25.3 - 34.9 Ft. | 35.0 - 44.5 Ft. | 44.6 - 54.0 Ft. |
| Radius (Ft.) | Load (Lbs.) | Load (Lbs.) | Load (Lbs.) | Load (Lbs.) | Load (Lbs.) |
| 8.5 | 8480 | 8480 | | | |
| 10.0 | 7720 | 7720 | 6720 | | |
| 11.5 | 6710 | 6710 | 6710 | | |
| 13.0 | 5800 | 5800 | 5800 | 4960 | |
| 14.5 | | 4890 | 4890 | 4220 | 2530 |
| 16.5 | | 3710 | 3710 | 3600 | 2510 |
| 18.0 | | 3230 | 3230 | 3150 | 2210 |
| 20.0 | | 2590 | 2580 | 2570 | 1950 |
| 23.0 | | 2070 | 1980 | 1870 | 1640 |
| 23.5 | | 1840 | 1930 | 1820 | 1580 |
| 26.0 | | | 1670 | 1560 | 1240 |
| 30.0 | | | 1270 | 1210 | 1020 |
| 33.0 | | | 960 | 980 | 960 |
| 36.0 | | | | 880 | 860 |
| 40.0 | | | | 800 | 750 |
| 42.5 | | | | 730 | 660 |
| 45.5 | | | | | 580 |
| 49.0 | | | | | 470 |
| 52.0 | | | | | 380 |
| 52.4 | | | | | 370 |

Disclaimer : All information provided in this publication is correct at time of printing. Please contact Preston Rentals for any updated versions.

YOU CAN COUNT ON PRESTON RENTALS FOR YOUR SPECIALIZED CONSTRUCTION NEEDS

Preston Rentals meets the needs of leading building and construction companies by providing equipment throughout the entire North American continent.

For more information, rates or technical specifications on our products please call us today on 888 399 DECK (3325) or visit our website at www.prestonrentals.com



Specialized Equipment Rental **Solutions**

Preston Rentals (NV) LLC

5168 W. Eldorado Lane
Las Vegas, NV 89139
sales@prestonrentals.com

Preston Rentals (TX) LLC

3517 2nd Avenue S.
Texas City, TX 77590
sales@prestonrentals.com

Preston Rentals (CA) LLC

135 South State College Blvd
Suite 200, Brea, CA, 92821
sales@prestonrentals.com

Preston Rentals (TN)

3200 West End,
Nashville, TN 37203
sales@prestonrentals.com

Preston Rentals (CO)

1900 W Hamilton Place
Sheridan, CO 80110
sales@prestonrentals.com



COUNT ON US

Phone 888 399 DECK | prestonrentals.com